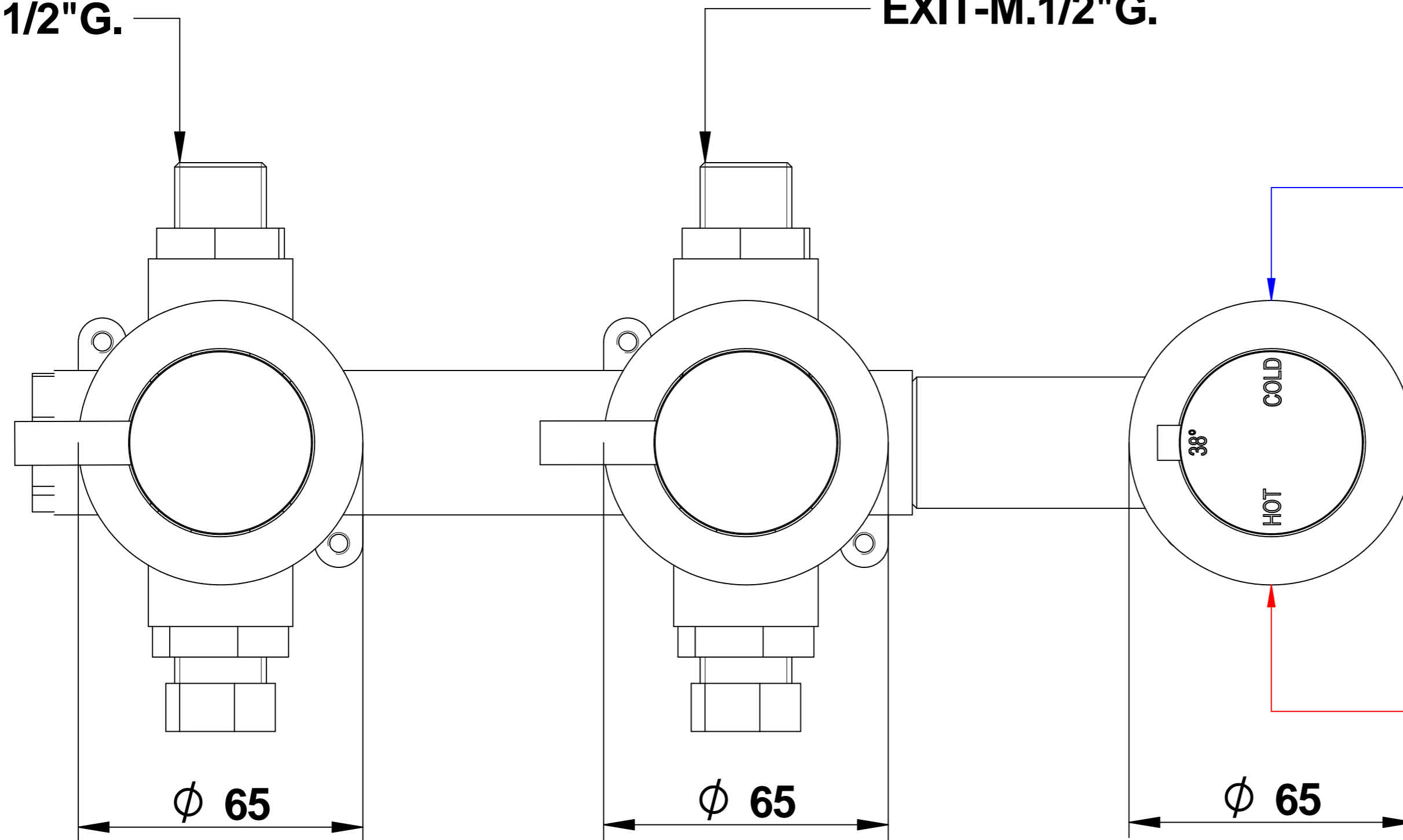


EXIT-M.1/2"G.

EXIT-M.1/2"G.



**IN-F.
CC**

**IN-F.-1/2"G.
HOT**