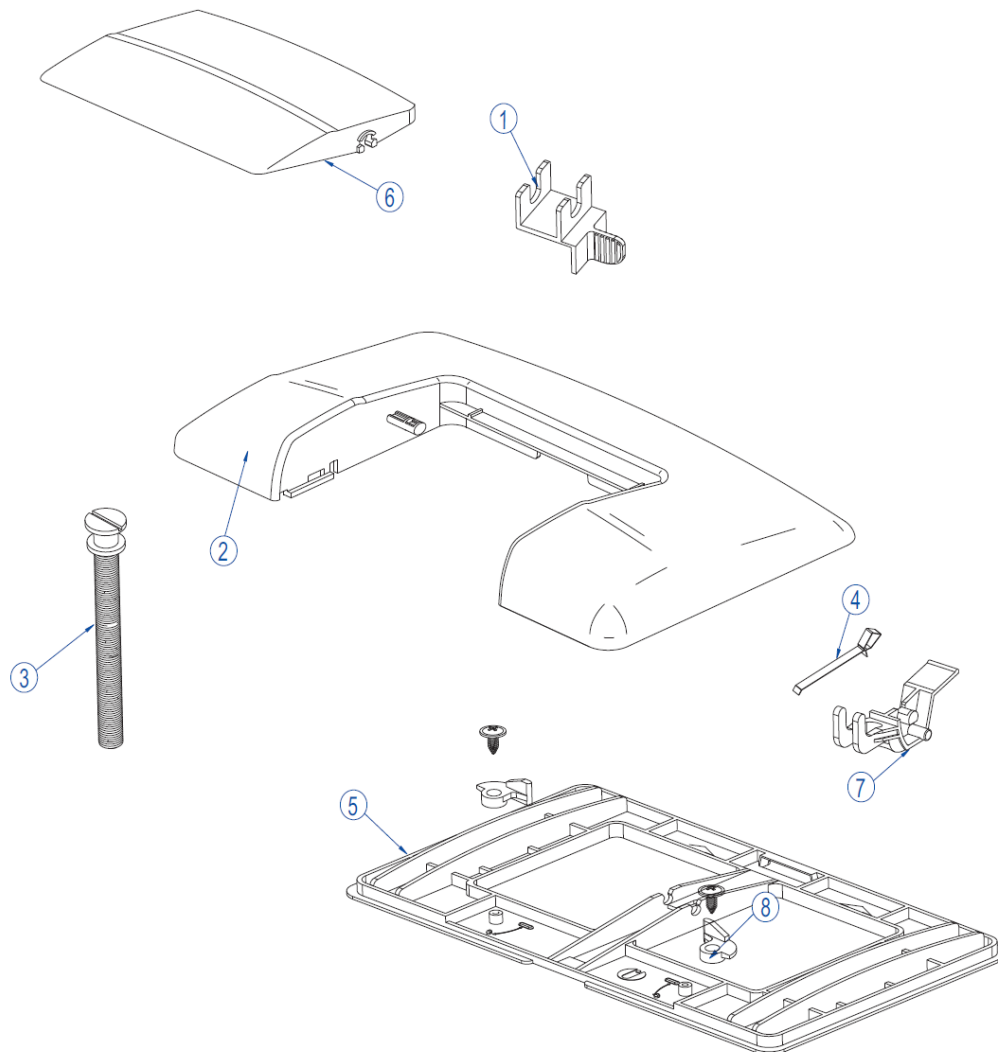


TROUBLESHOOTING - Diamante start/stop tank

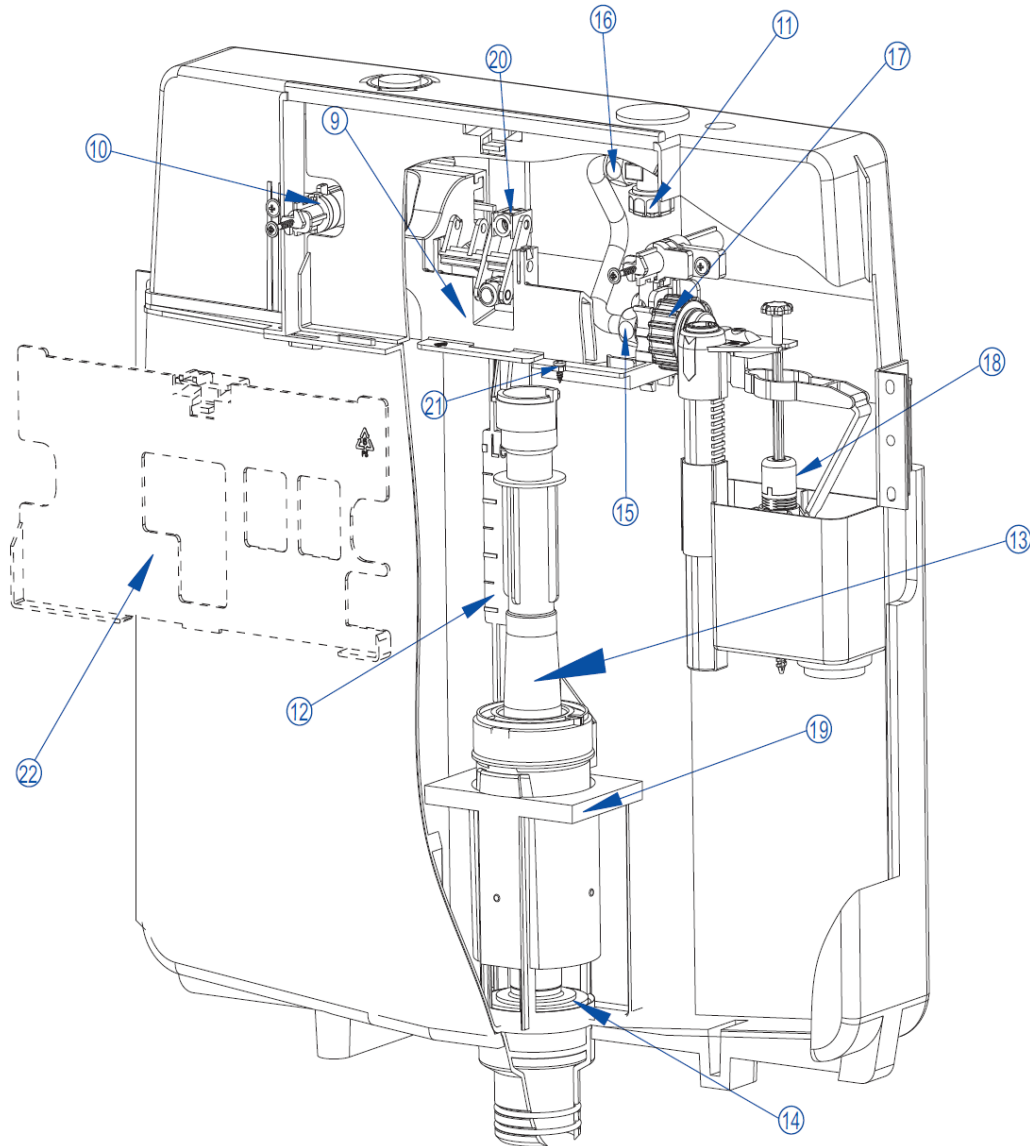
Pushplate diamante start/stop



- 1 Template
- 2 Pushplate
- 3 Control Screw
- 4 Spring f/pushplate
- 5 Counterplate
- 6 Start/stop button
- 7 Lever
- 8 Fixings pieces

TROUBLESHOOTING - Diamante start/stop tank

start/stop tank



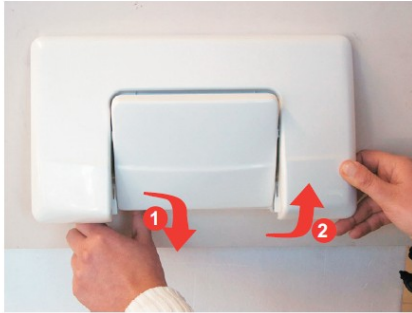
N° Designação

9	Lever block	17	Inlet valve nut
10	Extension screw	18	Inlet valve
11	Stopcock	19	Guide for outlet valve
12	Gouge rod	20	Dado cinzento
13	Flush valve	21	Nut f/control screw
14	Seal f/valve	22	Protection plate
15	Connection nut inlet valve		
16	Connection nut stopcock		

TROUBLESHOOTING - Diamante start/stop tank

Leak of water

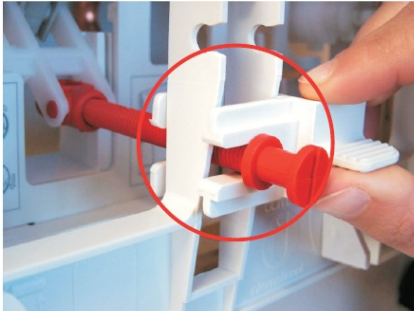
1st step - take the push-plate out



- Open the fixing pieces(8) in the lower part of the counter plate(5).
- Take the push-plate out following the movement of the arrows in the picture(1, 2).
- Take the lever(7) out.

The leak as stopped

2nd step - Adjustment of the screw



- Place the template(1) on the counterplate and adjust the screw until it touches the template.
- Install the lever and the push-plate again.

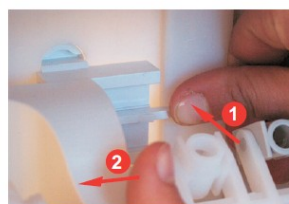
The leak as not stopped

3rd step - Check the water level

- Take out the counter plate and to the protection plate (22)
- Take out the lever block (9) according to the following steps



- Let the extension screws (10) move free and extend it to the maximum length .
- Press the holder that fixes the lever block to remove it.



See next page

TROUBLESHOOTING - Diamante start/stop tank

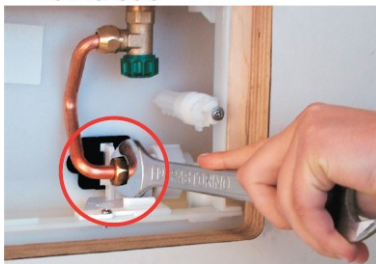
Leak of water

See if the level coincides with the signal "level" in the water scale(12)

It does not coincide

- Take the flush valve out (see 4th step)

5th step - Take the Inlet Valve out



- Unscrew the nut that connects the brass pipe to the inlet valve and remove it so that you can take the inlet valve out

- Remove the hook and the inlet valve



- Unscrew the inlet valve nut and see if there is dirt that prevents that the inlet valve closes.

-There is dirt

- Clean the inlet valve

-It works

- There is not dirt

- Replace the inlet valve

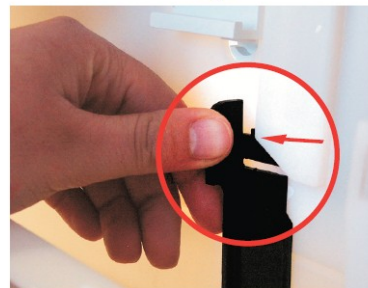
-It does not works

- Replace the inlet valve

It does coincide

4th - Take the flush valve out

- Close the stopcock(11).



- Remove the Gouger rod (12).



- Take the flush valve out (13).



- Check the rubber seal(14).

➡ Replace the flush valve

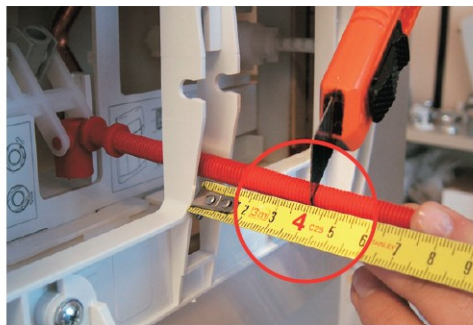
TROUBLESHOOTING - Diamante start/stop tank

Leak of water

- Take the push plate out (see 1st step)



6th step- Screw cutting



- Remove the control screw.
- Place the red screw on the red nut.
- there must be 40mm between the counterplate and the cut of the screw.



It works



It does not work



- Check if screw adjustment (see 2nd step)



It works



It does not work



- Check the water level (see 3rd step)



It works



It does not work



- Replace the flush valve